



SLIDING WINDOWS FEATURES & BENEFITS

Easy operation
Dual metal rollers are durable and help insure smooth openings and closings.

A tight seal
Multiple weather-strips give you protection against air infiltration

Simple to clean
Sliding sash can be removed to clean exterior glass from inside your home

Design
Multiple grid styles and configurations are possible for whatever your application

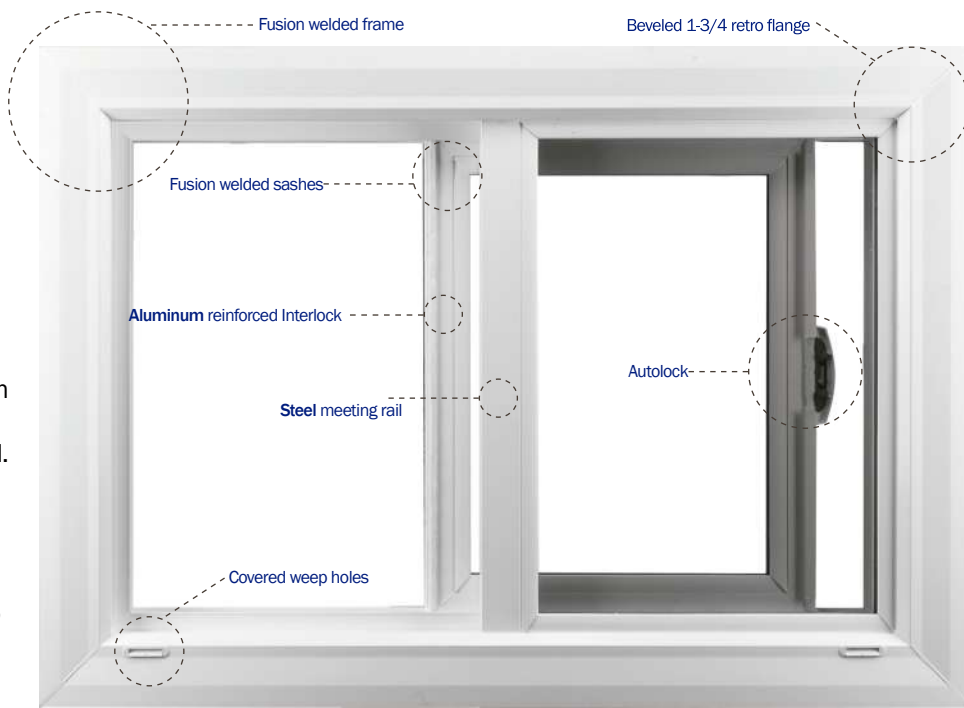
Security
Auto locks insure that every time you close the window your home is sealed, giving you security and peace of mind

Structural Integrity
The mechanically fastened joints of aluminum frames may admit air and water. Fusion-welded uPVC joints create an impervious seal.

Maintenance
Unlike aluminum and wood, uPVC is virtually maintenance free. It never needs paint, and requires only an occasional wash and wipe to clean.

Weatherability
Metals can corrode from exposure to weather and pollution. uPVC is naturally resistant to moisture and atmospheric pollutions such as acids, alkalis and salt air making it the perfect material to stand the test of time.

Energy Efficiency
The superior insulating properties of vinyl designed with heat reducing Multi-chambered profiles and Cardinal 366 glass Reduce Heat transfer up to 3 x that of standard single pane windows.



Imperial XO window, outside view

Standard colors



Options

- Standard and custom sizes
- Factory stacking and mulling options in many different combinations
- AAMA and NFRC certified to meet or exceed industry structural and energy efficiency standards
- May be ordered to meet ENERGYSTAR® requirements
- Lifetime Warranty (Does not include glass breakage)

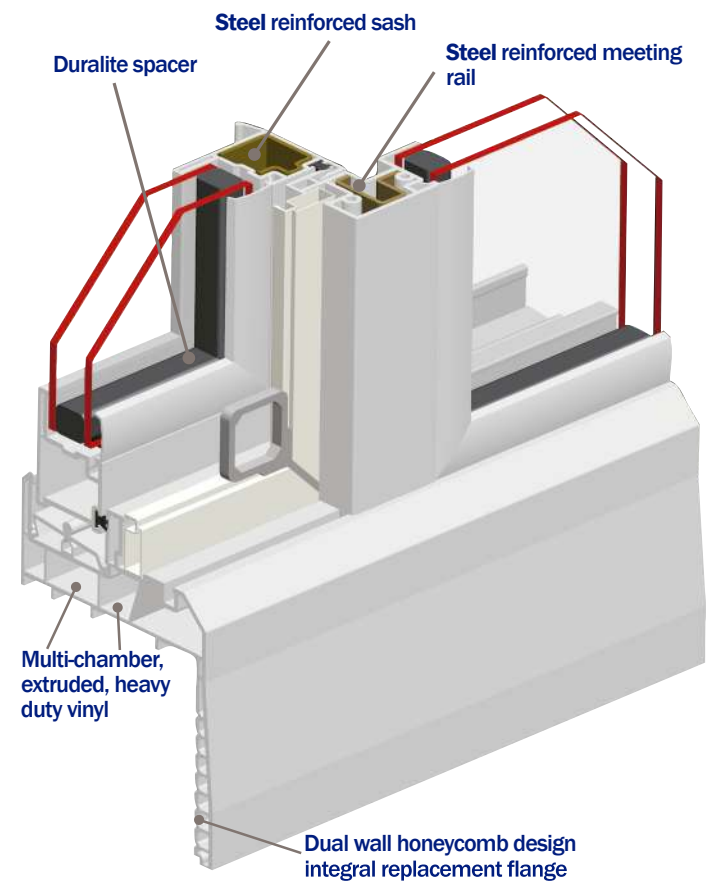
FRAME TYPES FOR REPLACEMENT & NEW CONSTRUCTION APPLICATIONS

IMPERIAL SLIDING WINDOWS

EXCEPTIONAL CONSTRUCTION AND DESIGN

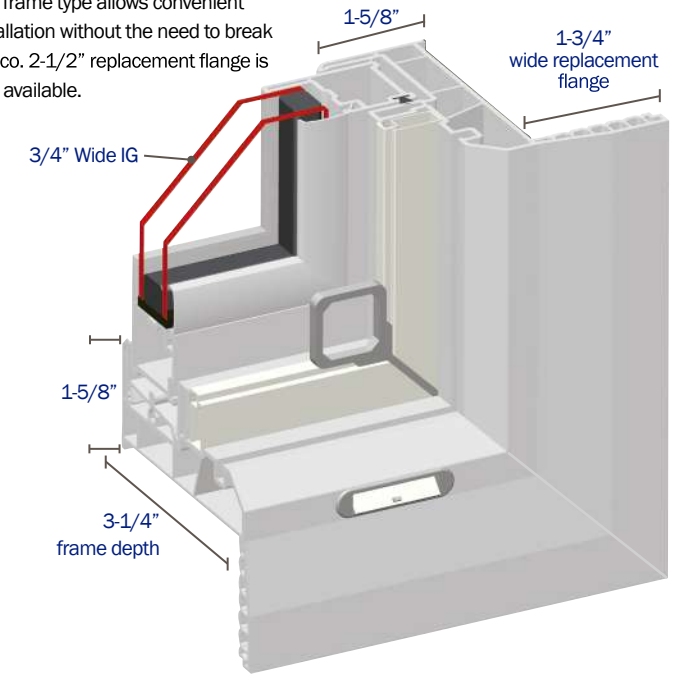
FRAME OPTIONS

- 1-3/4" standard and optional 2-1/2" replacement flange designed with heavy-duty dual wall
- 1" nailing fin set back in white or almond
- 1-3/8" nailing fin set back available in white



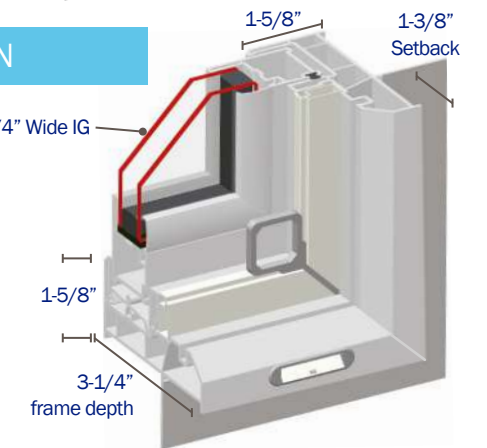
RETROFIT

For replacement applications. This frame type allows convenient installation without the need to break stucco. 2-1/2" replacement flange is also available.

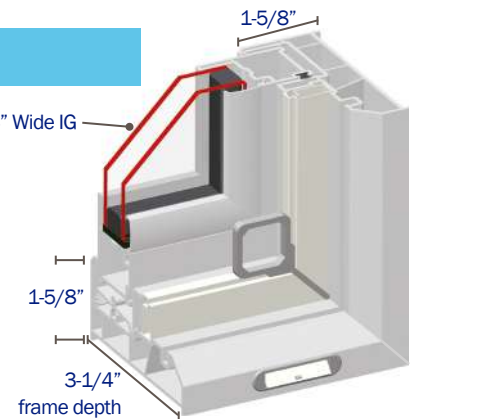


NAIL-ON

Nail-on frame allows for targeted installation in new construction applications and is available in 1" and 1-3/8" setback. 1-3/8" is only available in white.



BLOCK



Block frame is suitable for some replacement and new construction applications.

THERMAL, STRUCTURAL, & SOUND PERFORMANCE

Imperial Horizontal Sliding Windows XO			Thermal Performance				Structural Performance	Sound Transmission Class
Glazing			Grids	U Factor	SHGC	VT		
Dual	2 mm LoE3	2 mm Clear	None	0.28	.32	.53	CR 62	Class LC PG-30 Size tested 71 x 70"
			3/4-5/8"		.29	.47		
			>1"		.26	.42		
								STC 31 3/4" IG [1/8" annealed exterior, 7/16" Argon, 3/16" annealed interior]

As tested with LoE3 glass, Duralite Spacer and Argon gas filled combined with clear glass.

IMPERIAL SINGLE HUNG WINDOWS

SINGLE HUNG WINDOWS FEATURES & BENEFITS

Easy operation

Constant force counter weight balance system for smooth effortless operation.

A tight seal

Multiple weather-strips give you protection against air infiltration

Simple to clean

Operating sash can be removed to clean exterior glass from inside your home

Design

Multiple grid styles and configurations are possible for whatever your application

Security

Auto locks insure that every time you close the window your home is sealed, giving you security and peace of mind

Structural Integrity

The mechanically fastened joints of aluminum frames may admit air and water. Fusion-welded uPVC joints create an impervious seal.

Maintenance

Unlike aluminum and wood, uPVC is virtually maintenance free. It never needs paint, and requires only an occasional wash and wipe to clean.

Weatherability

Metals can corrode from exposure to weather and pollution. uPVC is naturally resistant to moisture and atmospheric pollutions such as acids, alkalis and salt air making it the perfect material to stand the test of time.

Energy Efficiency

The superior insulating properties of vinyl designed with heat reducing Multi-chambered profiles and Cardinal 366 glass Reduce Heat transfer up to 3 x that of standard single pane windows.



Imperial SH window, outside view

Options

- Standard and custom sizes
- Factory stacking and mulling options in many different combinations
- AAMA and NFRC certified to meet or exceed industry structural and energy efficiency standards
- May be ordered to meet ENERGYSTAR® requirements
- Lifetime Warranty (Does not include glass breakage)



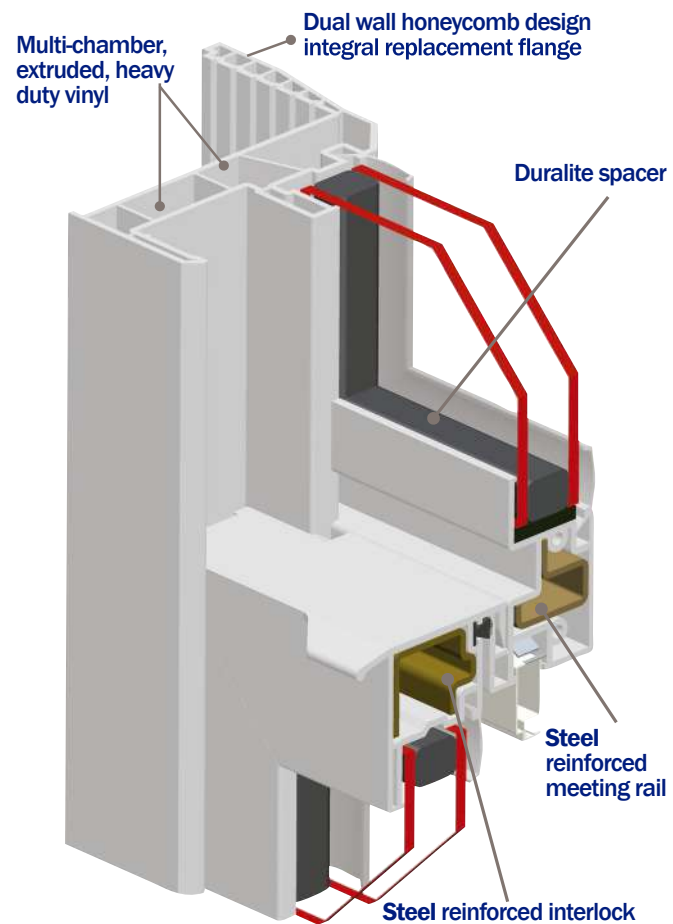
Standard colors



EXCEPTIONAL CONSTRUCTION AND DESIGN

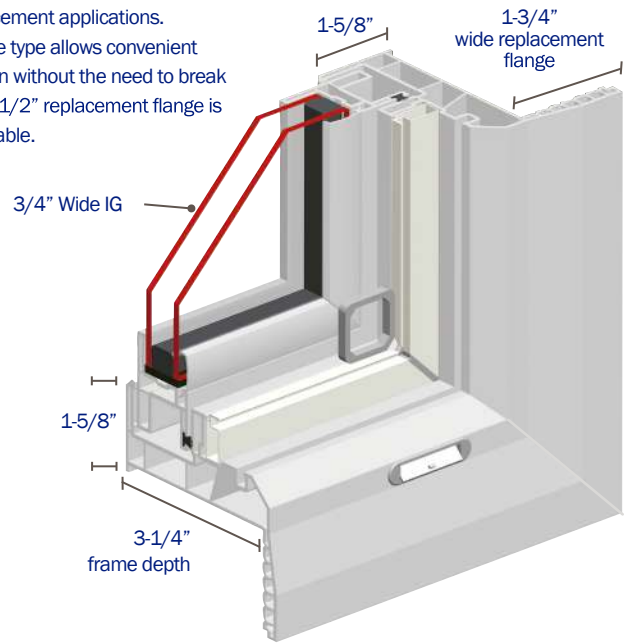
FRAME OPTIONS

- 1-3/4" standard and optional 2-1/2" replacement flange designed with heavy-duty dual wall
- 1" nailing fin set back in white or almond
- 1-3/8" nailing fin set back available in white



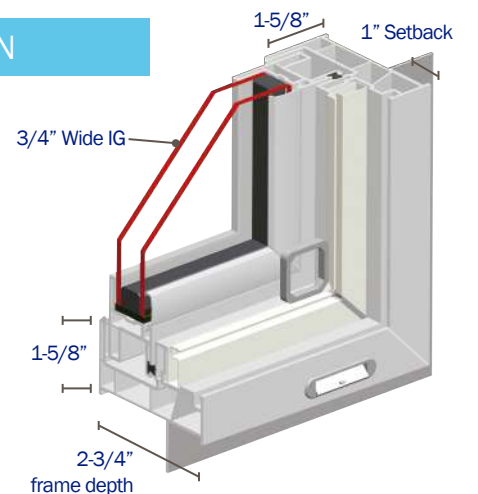
RETROFIT

For replacement applications. This frame type allows convenient installation without the need to break stucco. 2-1/2" replacement flange is also available.



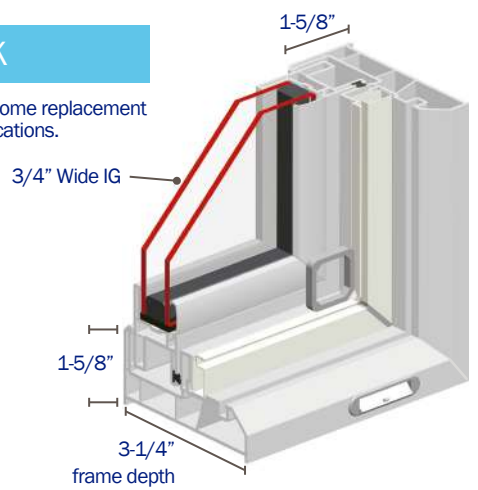
NAIL-ON

Nail-on frame allows for targeted installation in new construction applications and is available in 1" and 1-3/8" setback. 1-3/8" is only available in white.



BLOCK

Block frame is suitable for some replacement and new construction applications.



THERMAL, STRUCTURAL, & SOUND PERFORMANCE

Imperial Single Hung Windows SH			Thermal Performance				Structural Performance	Sound Transmission Class
Glazing			Grids	U Factor	SHGC	VT		
Dual	2 mm LoE3	2 mm Clear	None	0.28	.32	.53	Class LC PG-30 Size tested 46 x 82"	STC 31 3/4" IG [1/8" annealed exterior, 7/16" Argon, 3/16" annealed interior]
			3/4-5/8"		.29	.47		
			>1"		.26	.42		
			Size tested 47-1/4 x 59"					

As tested with LoE3 glass, Duralite Spacer and Argon gas filled combined with clear glass.

PICTURE WINDOWS FEATURES & BENEFITS

Design

Multiple grid styles and configurations are possible for whatever your application

Structural Integrity

The mechanically fastened joints of aluminum frames may admit air and water. Fusion-welded uPVC joints create an impervious seal.

Maintenance

Unlike aluminum and wood, uPVC is virtually maintenance free. It never needs paint, and requires only an occasional wash and wipe to clean.

Weatherability

Metals can corrode from exposure to weather and pollution. uPVC is naturally resistant to moisture and atmospheric pollutions such as acids, alkalis and salt air making it the perfect material to stand the test of time.

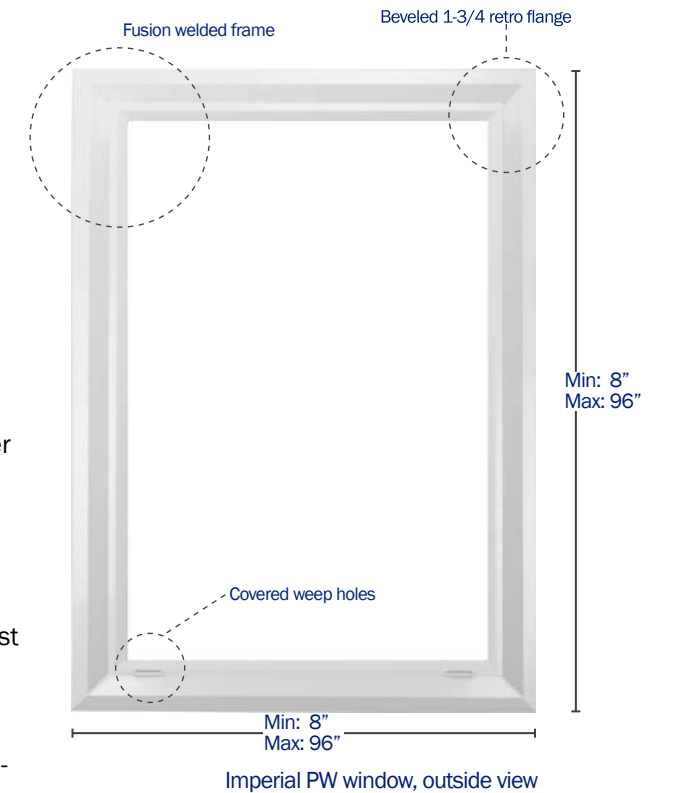
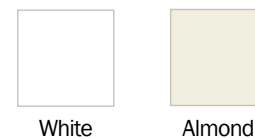
Energy Efficiency

The superior insulating properties of vinyl designed with heat reducing Multi-chambered profiles and Cardinal 366 glass Reduce Heat transfer up to 3 x that of standard single pane windows.

Options

- Standard and custom sizes
- Factory stacking and mulling options in many different combinations
- AAMA and NFRC certified to meet or exceed industry structural and energy efficiency standards
- May be ordered to meet ENERGYSTAR® requirements
- Lifetime Warranty (Does not include glass breakage)

Standard colors

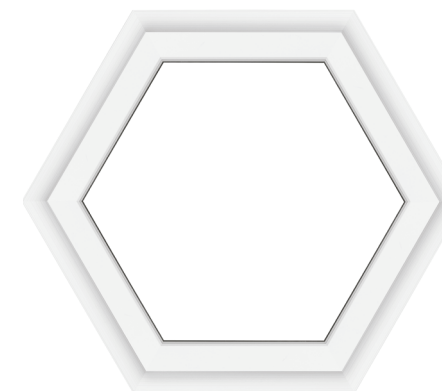


IMPERIAL PICTURE WINDOWS AVAILABLE SIZES

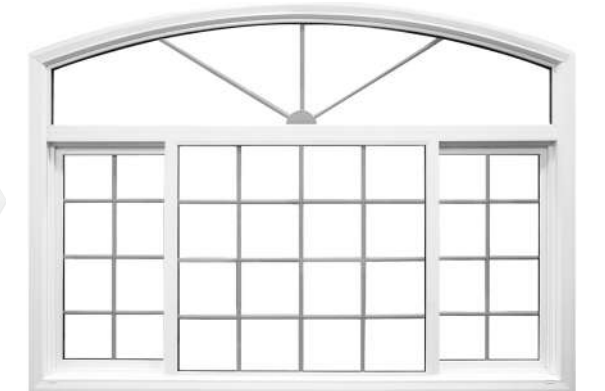
		Window Height in Inches							
		12	24	36	48	60	72	84	96
Window Width in Inches	12	12x12	12x24	12x36	12x48	12x60	12x72	12x84	12x96
	24	24x12	24x24	24x36	24x48	24x60	24x72	24x84	24x96
	36	36x12	36x24	36x36	36x48	36x60	36x72	36x84	36x96
	48	48x12	48x24	48x36	48x48	48x60	48x72	48x84	48x96
	60	60x12	60x24	60x36	60x48	60x60	60x72		
	72	72x12	72x24	72x36	72x48	72x60			
	84	84x12	84x24	84x36	84x48				
	96	96x12	96x24	96x48					

Highlighted sizes feature Tempered Glass

SPECIALTY IMPERIAL WINDOWS: GEOMETRIC SHAPES & COMBINATION UNITS



Imperial Hexagon window, inside view



Imperial XOX window with arch top with leg, outside view

FRAME TYPES FOR REPLACEMENT & NEW CONSTRUCTION APPLICATIONS

IMPERIAL PICTURE WINDOWS

EXCEPTIONAL CONSTRUCTION AND DESIGN

FRAME OPTIONS

- 1-3/4" standard and optional 2-1/2" replacement flange designed with heavy-duty dual wall
- 1" nailing fin set back in white or almond
- 1-3/8" nailing fin set back available in white

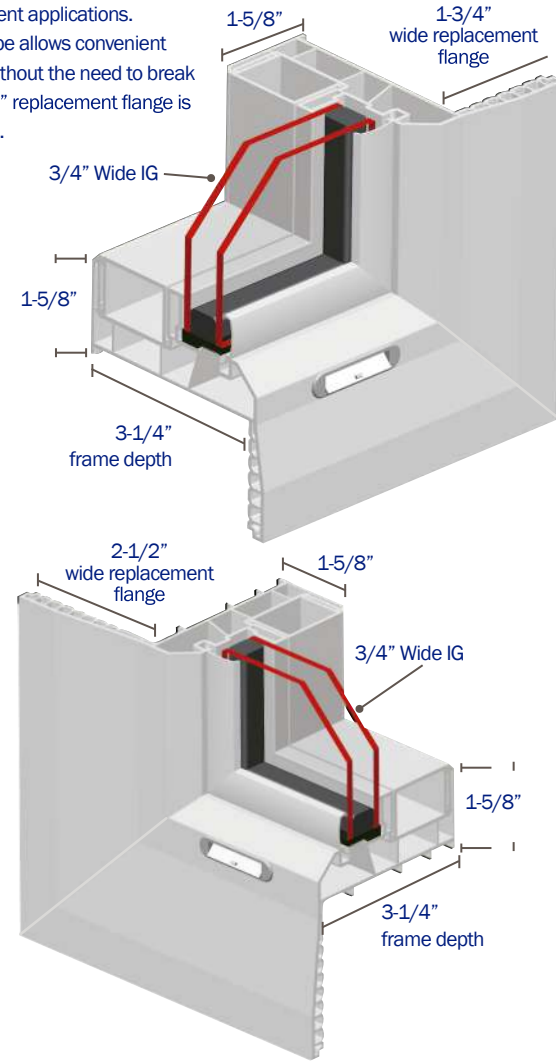
THERMAL, STRUCTURAL, & SOUND PERFORMANCE

Imperial Picture Windows PW			Thermal Performance					Structural Performance	Sound Transmission Class
Glazing			Grids	U Factor	SHGC	VT	CR Condensation Resistance		
Dual	2 mm LoE3	2 mm Clear	None	0.25	.35	.58	CR 63	Class R PG-15 Size tested 72 x 60"	STC 29 3/4" IG
			3/4-5/8"		.32	.51			
			>1"		.29	.46			
Size tested 47-1/4 x 59"			1/8" annealed exterior 7/16" Argon 3/16" annealed interior						

As tested with LoE3 glass, Duralite Spacer and Argon gas filled combined with clear glass.

RETROFIT

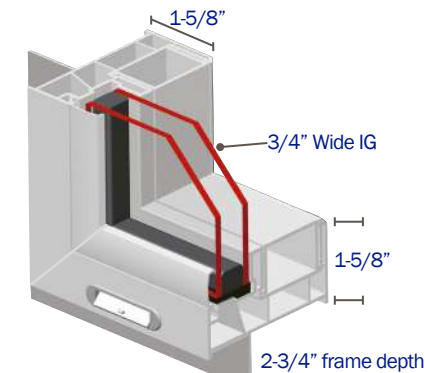
For replacement applications. This frame type allows convenient installation without the need to break stucco. 2-1/2" replacement flange is also available.



NAIL-ON

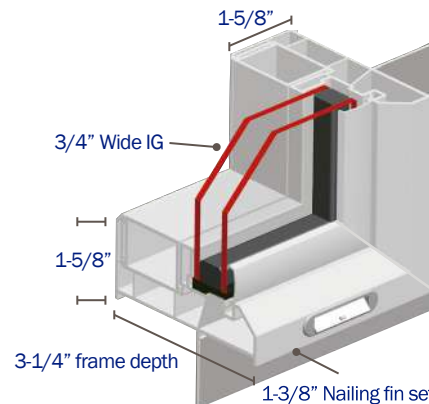
Nail-on frame allows for targeted installation in new construction applications and is available in 1" and 1-3/8" setback. 1-3/8" is only available in white.

1" Nailing fin Setback



1" Nailing fin setback

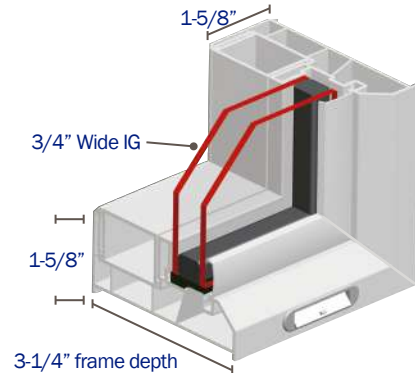
1-3/8" Nailing fin Setback



1-3/8" Nailing fin setback

BLOCK

Block frame is suitable for some replacement and new construction applications.



3-1/4" frame depth

IMPERIAL SLIDING PATIO DOORS



PRACTICAL FUNCTIONALITY

Key features

- Multi-chambered heavy duty extruded vinyl for structural strength and durability
- Frame depth is 5-5/8"
- Fusion welded corners for strength and stability
- 1" IG unit featuring Duralite spacer with warm edge technology for energy efficiency
- Door panels feature a multi-channel extrusion for increased energy performance and strength
- Steel and aluminum reinforcement for exceptional structural integrity
- Heavy duty aluminum rail system offers smooth operation
- Steel galvanized adjustable rollers with steel housing for added durability
- Ergonomic handle with dual point locking system for ease of use and tight seal against elements infiltration
- 1" and 1-3/8" nailing fin set back for targeted installation
- 2-1/2" replacement flange designed with heavy-duty dual wall
- Argon gas filled chamber for increased energy savings

THERMAL, STRUCTURAL, & SOUND PERFORMANCE

Imperial Sliding Patio Door PD			Thermal Performance*					Structural Performance	Sound Transmission Class
Glazing			Grids	U Factor	SHGC	VT	CR Condensation Resistance		
Dual	3 mm LoE3	3 mm Clear	None	0.29	.22	.52	CR 61	Class R-PG15 Size tested 96 x 96"	STC 31 1-1/16" IG [1/8" Tempered exterior, 3/4" air space, 3/16" Tempered interior]
			3/4-5/8"		.20	.46			
			>1"		.18	.40			
Size tested 47-1/4 x 59"									

*As tested with LoE3 glass, Duralite Spacer and Argon gas filled combined with clear glass.
**Class LC PG30 is available upon Company approval and necessary modification.

Options

- Flat and sculptured grids in a variety of patterns
- Standard and custom sizes
- Factory stacking and mulling options in many different combinations
- AAMA and NFRC certified to meet or exceed industry structural and energy efficiency standards
- May be ordered to meet ENERGYSTAR® requirements
- Lifetime Warranty (Does not include glass breakage)

Standard colors

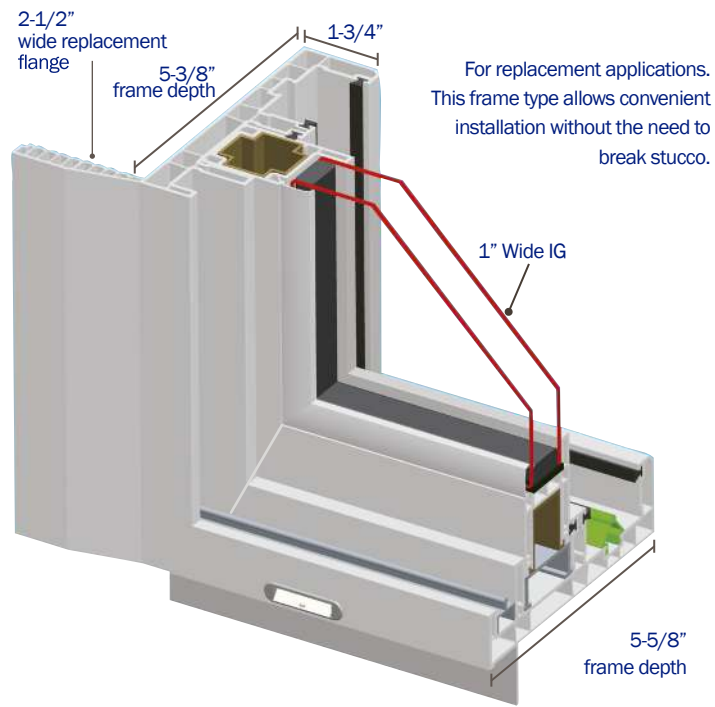


White



Almond

RETROFIT



For replacement applications. This frame type allows convenient installation without the need to break stucco.

Sliding Patio Door features at a glance, outside view

- 01 Fusion welded frame and panels
- 02 Ergonomically designed handle
- 03 Firmly secured and reinforced interlock
- 04 Heavy duty extruded vinyl in frame and panel members
- 05 2-1/4" wide rail and stiles
- 06 Double weather-stripping

Four wheel tandem roller system

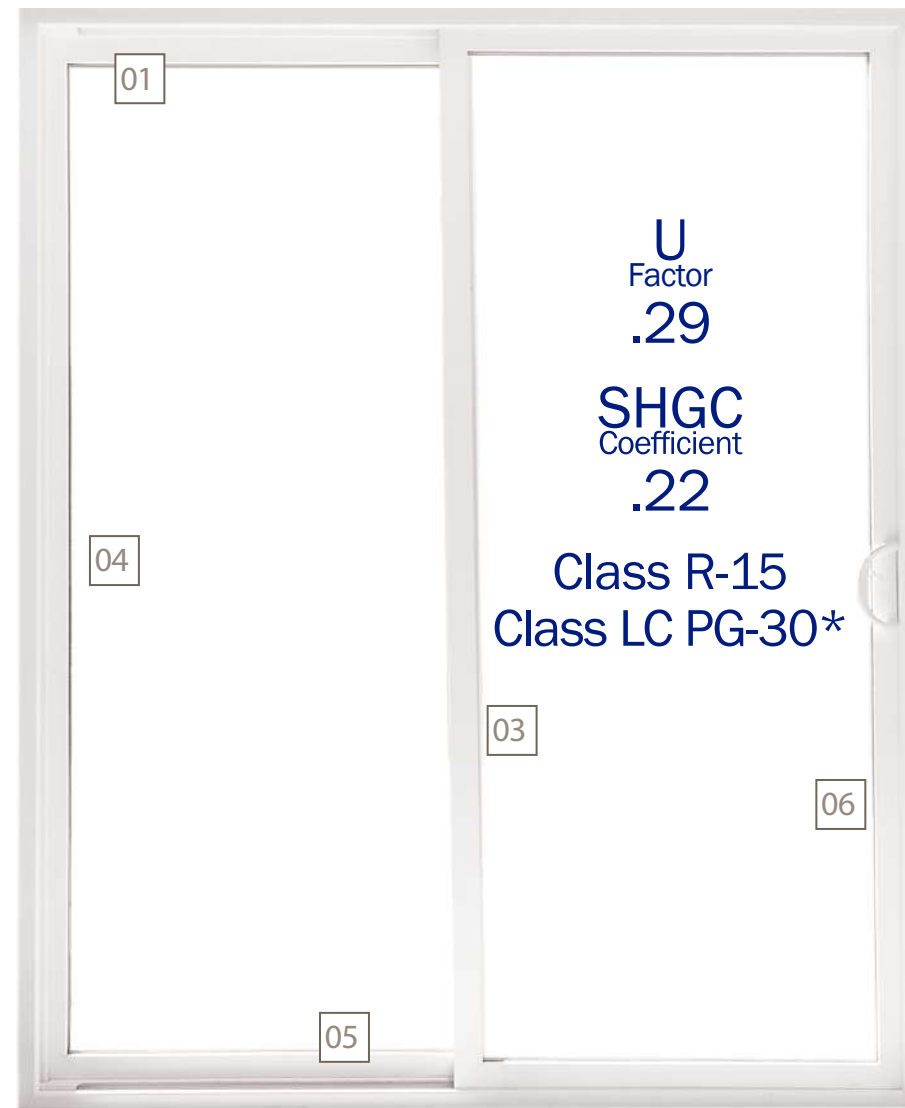
Imperial Patio Doors feature four-wheel tandem roller system in cold rolled steel housing and rollers, which provide long lasting smooth operation.

An optional commercial grade rolling system with casing and wheels in stainless steel is available upon request and is designed to effortlessly carry the our heavies door panels.

- Optional Stainless Steel Roller Features
- Stainless steel housing
 - Four strong tandem stainless steel concave rollers for quiet and durable rolling action
 - Rollers slide on a heavy duty stainless steel track glider for smooth and soundless operation
 - Each roller can hold up to 125 lbs for a total of 1000 lbs per door panel which delivers outstanding performance in large doors featuring the heaviest glass packages
 - Rollers can be adjusted for smooth moving action



CAREFULLY SELECTED HIGH-PERFORMANCE HARDWARE & PARTS



Imperial XO Sliding Patio Door inside view
*Class LC PG30 is available upon Company approval and necessary modification.

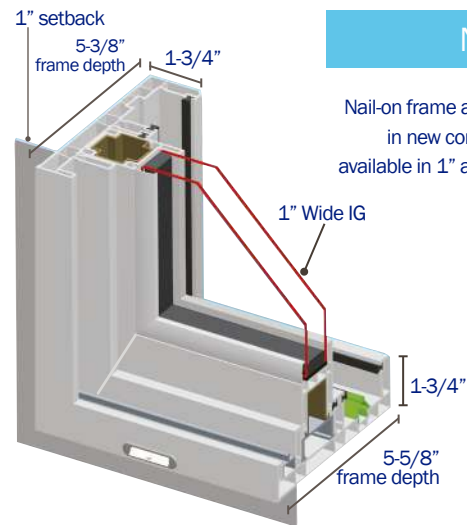
Dual latch lock

Imperial sliding doors feature a new dual latch lock which provides extra security and a tight weather seal. New ergonomic handle closes easily in a single motion.



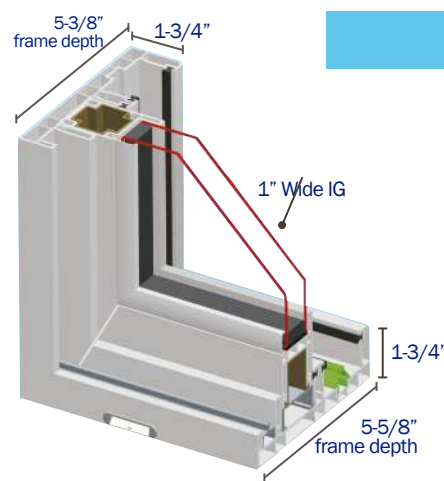
Imperial Door Handle and Locking system outside view

Imperial Door Handle and Locking system inside view



NAIL-ON

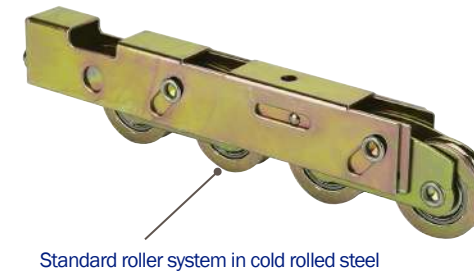
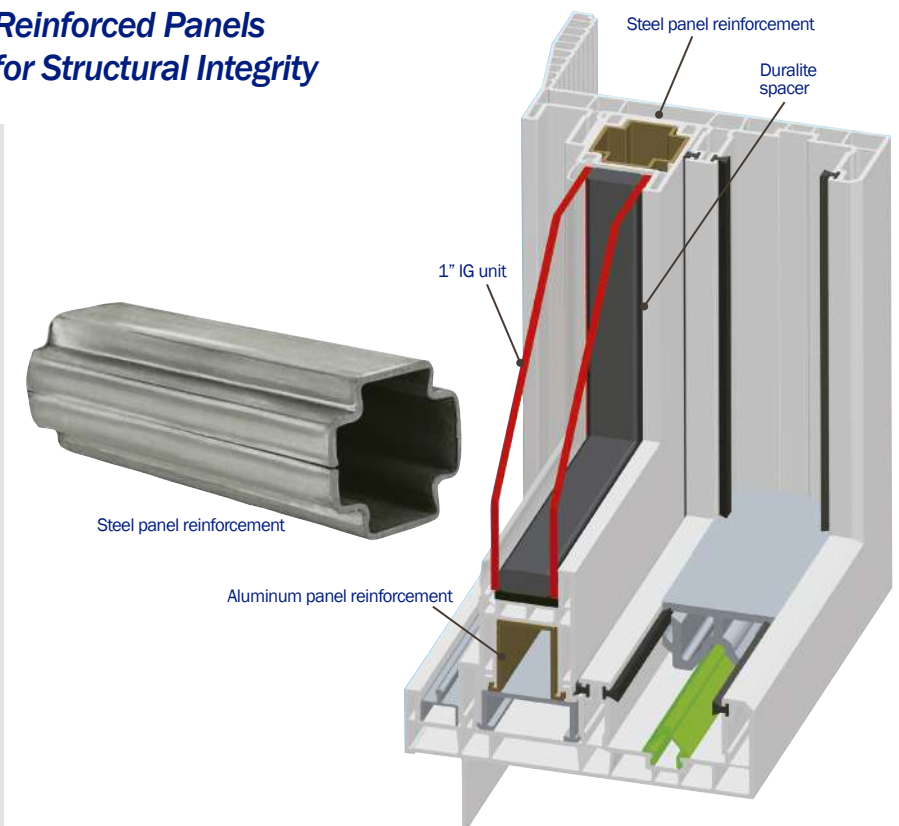
Nail-on frame allows for targeted installation in new construction applications and is available in 1" and 1-3/8" setback. 1-3/8" is only available in white.



BLOCK

Block frame is suitable for some replacement and new construction applications.

Reinforced Panels for Structural Integrity



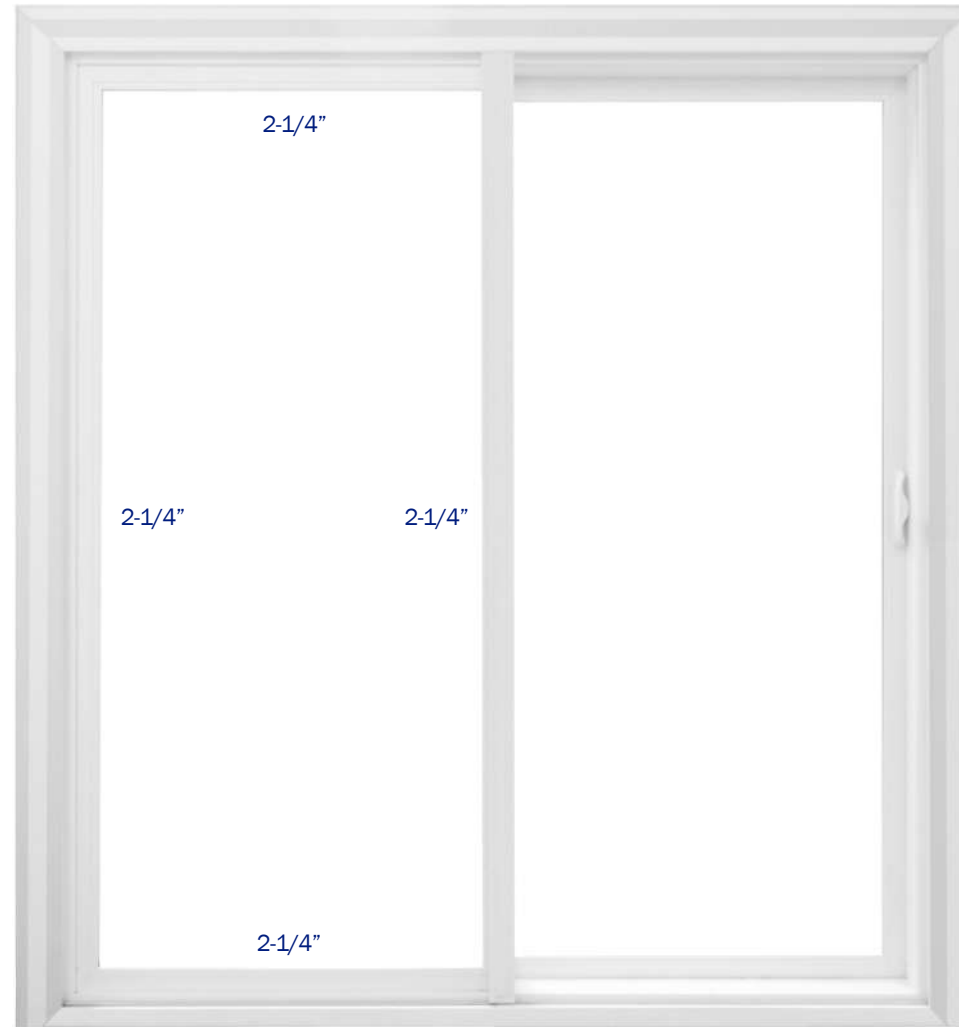
Standard roller system in cold rolled steel



SLIDING PATIO DOORS

KEY FEATURES

- *Steel reinforced door panels*
- *Steel reinforced interlock*
- *Duralite warm edge spacer with no metal components*
- *Multi-chamber extruded vinyl*



Imperial XO Sliding Patio Door outside view

SLIM PROFILE, GREATER VIEW

